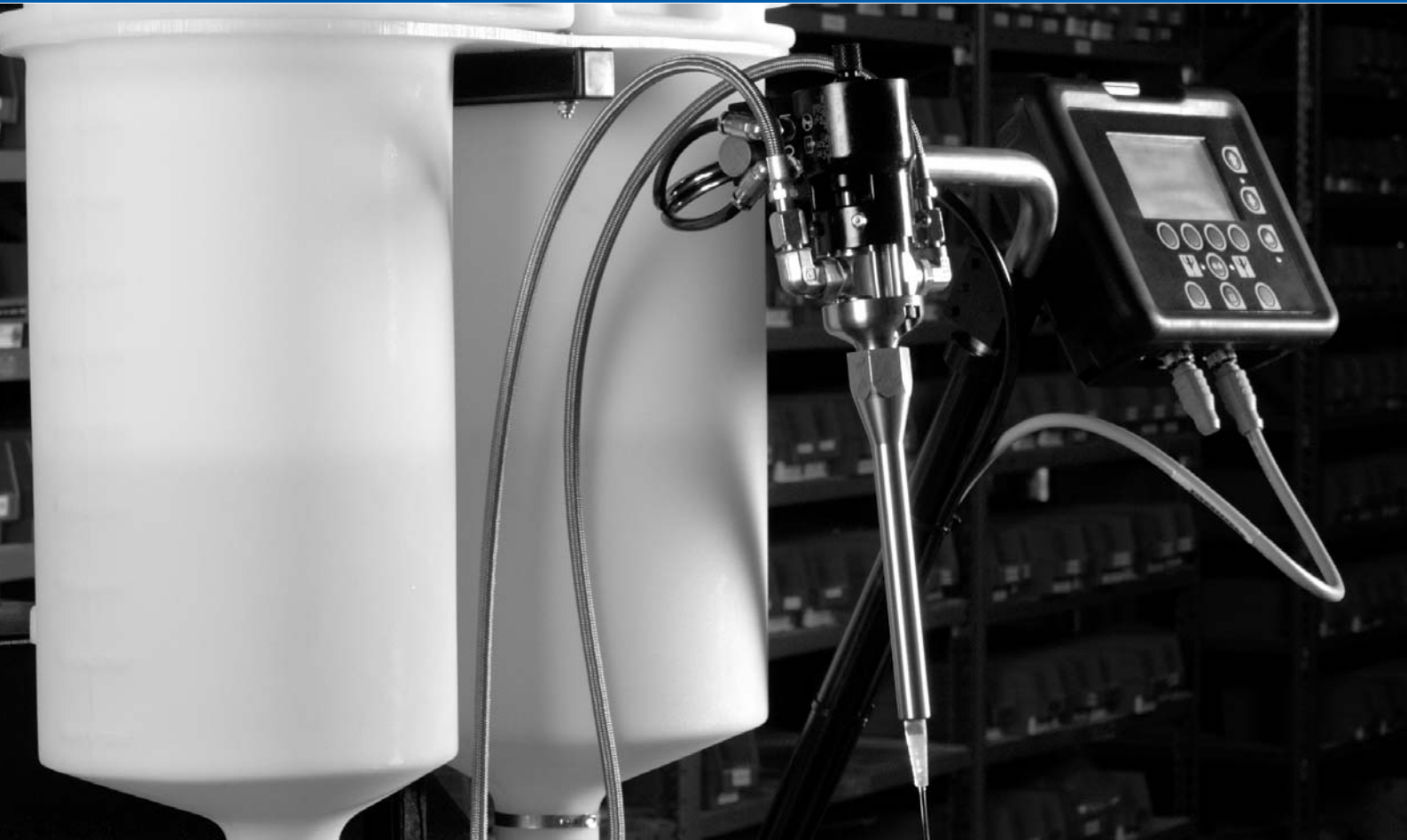




MD2 Dispense Valve

For Accurate Two-Component Dispensing



Designed to accurately dispense and mix plural-component sealants and adhesives

- Minimizes maintenance time and costs while maximizing dispense time
- Designed with fewer parts and is easy to clean
- Streamlines maintenance and service
- Complete modular design adapts to different installation needs
- No unique tools required
- Handles a wide range of materials

PROVEN QUALITY. LEADING TECHNOLOGY.



Ideal for Most Two-Component Dispensing Applications

Technical Specifications

| MD2 VALVE | |
|---|--|
| Maximum fluid pressure | 207 bar (20.7 MPa, 3000 psi) |
| Maximum cylinder air pressure | 8.4 bar (0.84 MPa, 120 psi) |
| Minimum air cylinder actuating pressure | 2.8 bar (0.3 MPa, 40 psi) |
| Maximum working fluid temperature | 60°C (140°F) |
| Wetted parts | stainless steel, carbide, UHMWPE, acetal, PEEK, PTFE |
| Gun weight | 255179 0.66 kg (1.45 lbs) 255180 0.66 kg (1.45 lbs) 255181 0.68 kg (150 lbs) 255182 0.68 kg (150 lbs) |
| Dimensions | 168.7 mm L x 59 mm W x 57 mm D (6.64 in L x 2.32 in W x 2.25 in D) |
| Fluid inlets | 9/16-18 UNF (f) (O6 SAE) |
| Air inlets | 1/8 in npt (f) |
| Instruction manual | 312185 |

Ordering Information

Graco MD2 Dispense Valve

Valve Options

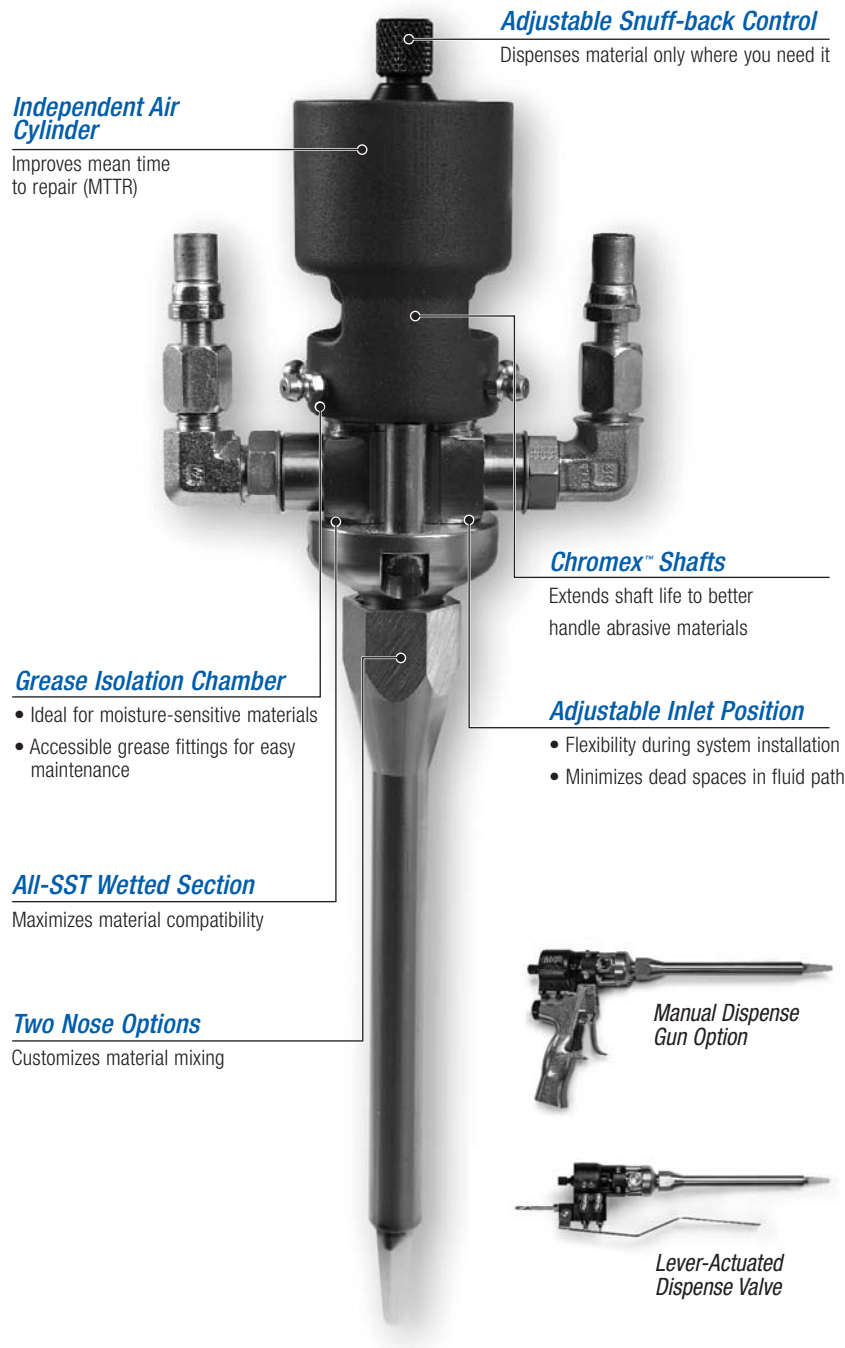
- 255179 1:1 soft seat, adjustable snuff-back
- 255180 1:1 hard seat, non-adjustable snuff-back
- 255181 Wide ratio, soft seat, adjustable snuff-back
- 255182 Wide ratio, hard seat, non-adjustable snuff-back

Manual Gun Options

- 255442 1:1 hard seat, air-actuated gun, trigger
- 255445 Wide ratio, hard seat, air-actuated gun, trigger
- 255443 1:1 hard seat, electrically-actuated counter-balanced valve, trigger
- 255446 Wide ratio, hard seat, electrically-actuated gun, trigger
- 255444 1:1 hard seat, electrically-actuated counter-balanced valve, lever
- 255447 Wide ratio, hard seat, electrically-actuated gun, lever
- LC0004 1:1 soft seat, electrically-actuated counter-balanced valve, trigger
- LC0006 Wide ratio, soft seat, electrically-actuated gun, trigger
- LC0005 1:1 soft seat, electrically-actuated counter-balanced valve, lever
- LC0007 Wide ratio, soft seat, electrically-actuated gun, lever

Manual Gun Options

- 255220 MD2 hard seat rebuild kit, needle and nose
- 255219 MD2 soft seat rebuild kit, needle and nose
- 255218 MD2 rebuild kit, back-end of wet section
- 255217 MD2 rebuild kit, air cylinder
- 255208 Electric switch handle
- 255206 Pneumatic switch handle
- 255249 Actuated lever
- 255273 Hanger adapter



Adjustable Snuff-back Control

Dispenses material only where you need it

Independent Air Cylinder

Improves mean time to repair (MTTR)

Chromex™ Shafts

Extends shaft life to better handle abrasive materials

Grease Isolation Chamber

- Ideal for moisture-sensitive materials
- Accessible grease fittings for easy maintenance

Adjustable Inlet Position

- Flexibility during system installation
- Minimizes dead spaces in fluid path

All-SST Wetted Section

Maximizes material compatibility

Two Nose Options

Customizes material mixing



Manual Dispense Gun Option



Lever-Actuated Dispense Valve

GRACO N.V. Industrieterrein Oude Bunders
 Slakweidestraat 31 • B-3630 Maasmechelen
 Tel: +32 (89) 770 700 • Fax: +32 (89) 770 777
 E-mail: info@graco.be • http://www.graco.be

©2007 Graco Inc. Form No. 339117E Rev. A 10/07 All other brand names or marks are used for identification purposes and are trademarks of their respective owners. All written and visual data contained in this document are based on the latest product information available at the time of publication. Graco reserves the right to make changes at any time without notice.